

## **R** The All Plastic PVDF/ Polypro Model 8 Bag Filter Housing

Excellent for use in pure, ultra-pure, and corrosive applications

Rosedale's Generation II filter housings incorporate a unique one piece, seamless body that handles flows to 100 gpm. It is rated to 100 psi at 150°F, and offers excellent resistance to corrosion. In addition Rosedale has added new features:

### Features

- All molded construction
- 2-inch flat face flange connections
- Unistyle piping configuration (side and/or bottom outlet)
- Accepts all number 2 sized bags or 500 Series Cartridges (down to 0.5 $\mu$  absolute)
- Wide selection of cover o-ring materials
- External cover and pressure threads with plug
- Hold down assembly

### Options

- Cover vent and drain valve
- Duplex and multiplex arrangements available
- Leg assembly (stainless steel)
- Pressure differential instrumentation
- Convertible 700 Series Cartridge (see page 157)
- Also available in PVDF

### Design Details

An easy to remove cover and basket make bag change-out quick, clean and simple. No special tools are needed, and the filter is back in service in a matter of minutes. The cover threads are external, and have no contact with the process fluids to prevent product accumulation. For extra strength the cover features buttress-style threads. The housing is complete with a cover vent, drain and gage port connections. The gauge connections

allow for the use of Rosedale differential pressure indicating equipment that assist in determining bag change-out. This can be accomplished by utilizing our pressure gauges, switches options. Its versatile unistyle design, side or bottom outlet, makes piping easy in any arrangement.

### Construction

This durable, corrosion resistant design is constructed from special polymer compounds. The Polypro housing is molded of reinforced chemically coupled polypropylene homopolymer. The addition of a UV stabilizer makes it suitable for outdoor use.



Plastic model base shown above. Also available for the Platinum 700 Series cartridge - See page 157.

# R How To Order

Build an ordering code as shown in the example

Generation II Polypro housings are designed to accept all number 2 size elements, including our standard bags, bag-sized pleated cartridges, Surfaceplus, and the absolute-rated Platinum 500 series. The elements are rated from 0.5 micron absolute (99.98% efficiency or  $\beta 5000$ ) to 800 micron nominal. See page 134 for media selection.

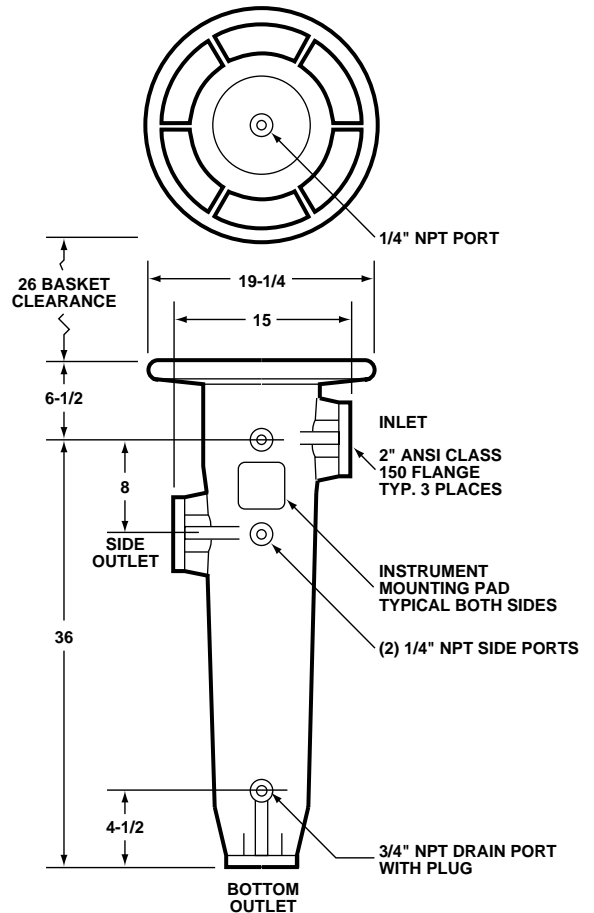
	Housing	Option
<b>Example:</b>	<b>CR8 - 30 - 2F - * - 100 - P - B - C</b>	
<b>MODEL NO.</b> Corrosive Resistant Model 8 = <b>CR8</b>		
<b>HOUSING SIZE</b> 30 inch = <b>30</b>		
<b>PIPE SIZE (Flange)</b> 2-inch Flat Face Class 150 = <b>2F</b>		
<b>OUTLET STYLE</b> Side/Bottom Unistyle = <b>*</b>		
<b>PRESSURE RATING</b> 100 psi = <b>100</b>		
<b>HOUSING MATERIAL</b> Polypropylene = <b>P</b> PVDF = <b>K</b>		
<b>COVER SEAL</b> Buna N = <b>B</b> Ethylene Propylene = <b>E</b> Viton = <b>V</b> Teflon Encapsulated Viton = <b>TEV</b>		
Convertible (700 Cartridge Adapter) = <b>C</b>		

**Note:** Filter bags are specified separately. See pages 134.

## Technical Specifications

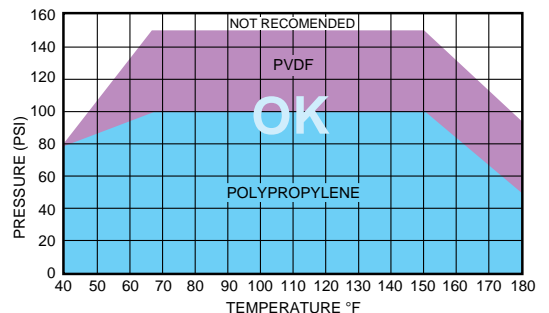
<b>Element Size:</b>	No. 2 Size Elements
<b>Piping Connections:</b>	2" ANSI B16.5 FF Flange
<b>Housing Material :</b>	Glass-reinforced polypropylene with UV stabilizer or PVDF
<b>Basket Material:</b>	Natural polypropylene or PVDF
<b>Recommended Change Out:</b>	15 PSID
<b>Pressure Rating:</b>	100 psi @ 150°F
<b>Shipping Weight:</b>	50lb (approx.)

## Dimensions (IN)



Dimensions are reference only and should not be used for hard plumbing. Consult factory for certified drawings.

## Temperature vs. Pressure



**NOTE:** Not for use in conditions under 40°