

R Rosedale Model **HSS300 and HSS750**

Single Cartridge Housings for Liquids

The Rosedale Model HSS single element filter housing is an all stainless steel unit ideal for general industrial service. It features a ring-nut closure (HSS 300) or bolt closure (HSS750) for easy access to the head and cartridge sump.

- The HSS is available in 10", 20", 30", or 40" cartridge models.
- HSS300 units are rated for 300 PSI service at 200°F.
- HSS750 units are rated for 750 PSI service at 200°F.

Flow rates to 40 GPM are acceptable depending on cartridge selection. Buna-N gaskets are standard, while other materials are available.

Standard Features

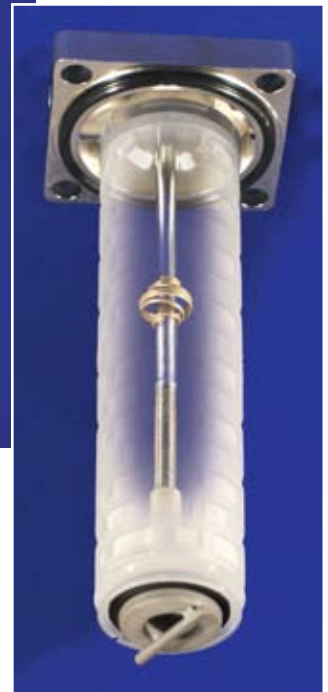
- Simple closure for quick cartridge change outs
- In line fittings for easy installation
- Knife edge seal at both cartridge ends to eliminate by-pass
- Housings accept double-open-end cartridges



MODEL HSS300



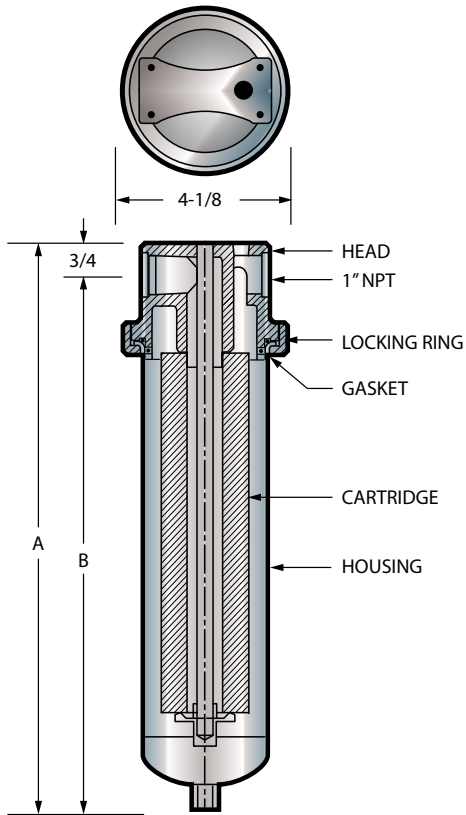
MODEL HSS750



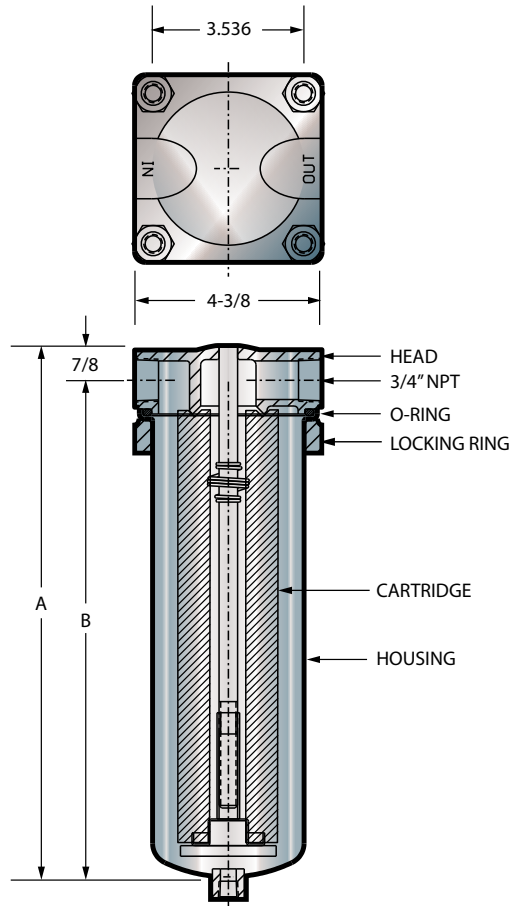
For detailed information about filter cartridges, see pages 184-203.

Dimensions (IN)

MODEL HSS300



MODEL HSS750



Model	PSI	A	B
HSS300-M101	300 PSI	13-9/16	12-3/4
HSS300-M102		23-9/16	22-3/4
HSS300-M103		33-9/16	32-3/4
HSS300-M104		43-9/16	42-3/4
HSS750-M101	750 PSI	13	12-1/8
HSS750-M102		23	22-1/8
HSS750-M103		33	32-1/8
HSS750-M104		43	42-1/8

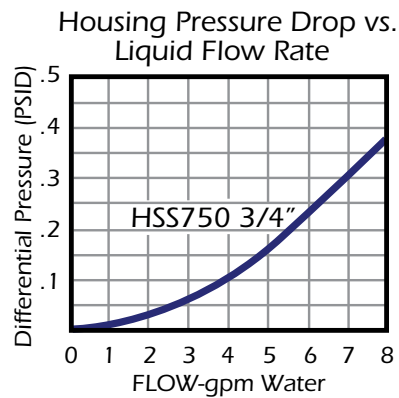
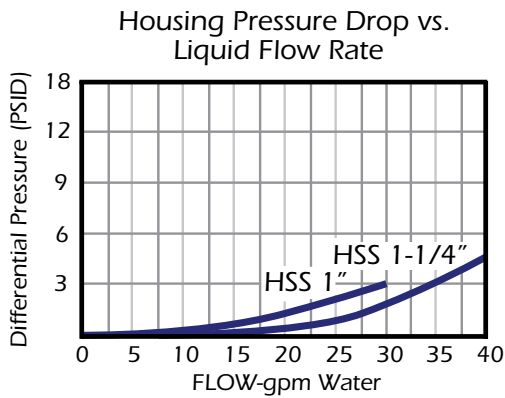
Dimensions are reference only and should not be used for hard plumbing. Consult factory for certified drawings.

Standard Design Specifications

Model	Qty. (Length) of Cartridges	Flow Rate GPM*	Max Ctg Diameter	Approx. Ship Weight	Box Size
M101	1 (10")	7	2 3/4" OD	10 lbs	4x5x16
M102	1 (20")	14	2 3/4" OD	12 lbs	4x5x25
M103	1 (30")	21	2 3/4" OD	14 lbs	4x5x36
M104	1 (40")	28	2 3/4" OD	16 lbs	4x5x47

Based on 7gpm per 10" length with a 25 micron wound cartridge at 2PSID clean and a viscosity of 1 cps.

*Flow rates are guide lines only. Actual flow rates are based on fluid, viscosity, cartridge type, micron ratings and other factors.



How To Order

Build an ordering code as shown in the example

Example: HSS300 - M101 - SS304 - 1.0 - V

<p>MODEL HSS300 Cartridge Filter = HSS300 HSS750 Cartridge Filter = HSS750</p> <p>CARTRIDGE LENGTH 10" = M101 20" = M102 30" = M103 40" = M104</p>	<p>GASKET Blank = Buna-N E = EPR V = Viton</p> <p>INLET/OUTLET 3/4 = 3/4" NPT 1.0 = 1" NPT 1-1/4 = 1-1/4" NPT</p> <p>MATERIAL SS304 = 304 stainless steel</p>
------------------------------------------------------------------------------------------------------------------------------------------------------------------------------------------------------------------------------------	-----------------------------------------------------------------------------------------------------------------------------------------------------------------------------------------------------------------------------------------------------------------