

R Platinum 700 Cartridge Filter Housings

Ultra high capacity filter eliminates maintenance by providing high dirt removal

These new cartridge housings are designed to end the high cost of cartridge change-out. They are offered in three Model 8 styles (LCO, Polypropylene, and Standard Model 8) and Multi-cartridge housings.

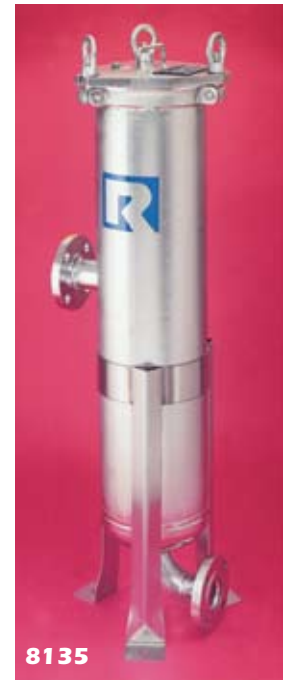
Standard Features

- From 1 to 29 cartridges
- Multi-cartridge units are offered in the low profile design, for quick and easy cartridge removal
- Horizontal or vertical mount
- Housings available in carbon steel, 304 or 316 stainless steel and polypropylene
- Pressure ratings in 100, 125, and 150 psi
- ASME code stamp available on selected models
- Flanged or threaded connection sizes from 2-inch through 10-inch
- Covers are o-ring sealed and easy to remove
- Leg assembly (excludes CR8)
- Clean and dirty/gage port connections
- O-ring seals: Buna, Ethylene Propylene, Viton®, and Teflon® Encapsulated Viton®

A single 700 Series cartridge unit will out perform 40 standard wound or 10 pleated cartridges, reducing maintenance. A decrease in cartridge use, reduces labor, inventory, worker exposure and disposal costs. A single cartridge holds as much as 20 pounds of contaminant and flows to 100 gallons per minute. The labor-intensive v-posts and spring seals are eliminated and cartridges are easily removed, requiring no special tools. Elements are approximately 6.25-inch diameter and 35-inch length.



Certified to
NSF/ANSI 61



For more detailed design information about the 700 Series cartridge element see page 181.



Single Cartridge Platinum 700 Filter Housing

How To Order

Build an ordering code as shown in the example

Example: CR8135 - 2F - 1- 150 - P - B - 700 - C

MODEL NUMBER

Low Pressure, 1 Element = **LCO8135**
 Poly-Pro, 1 Element = **CR8135**
 Model 8, 1 Element = **NCO8135 or 8135**

PIPE SIZE, FLANGED

CR8, Flat Face class 150 = **2F**
 RCO, LCO8, female NPT = **2P**
 Model 8, RF class 150, or FNPT = **2F or 2P**

OUTLET STYLE

Side In/Bottom Out = **1**
 Side In/Side Out = **2**

PRESSURE RATING

Low pressure = **125 psi**
 Poly Pro = **100 psi**
 Model 8 = **150 psi**

HOUSING MATERIAL

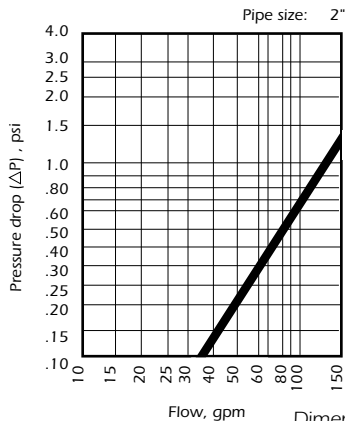
Carbon Steel = **C**
 304 Stainless Steel = **S**
 316 Stainless Steel = **S316**
 Polypropylene (CR8 only) = **P**

COVER GASKET

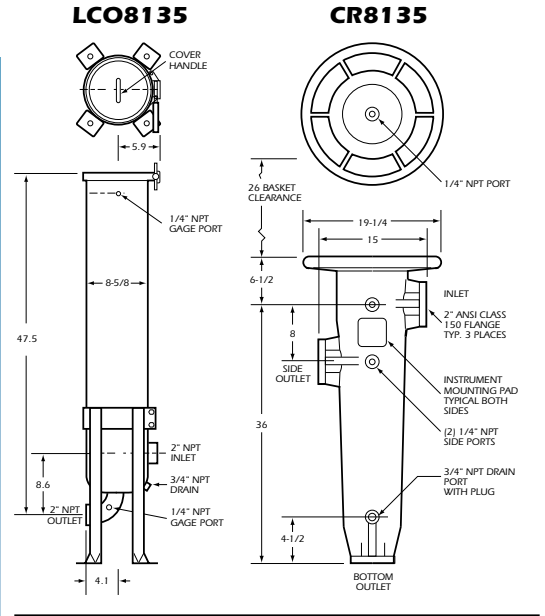
Buna = **B**
 Ethylene Propylene = **E**
 Viton® Fluorelastomer = **V**
 Teflon® Encapsulate Viton® = **TEV**
ELEMENT SERIES
 = **700**

ASME CODE OPTION

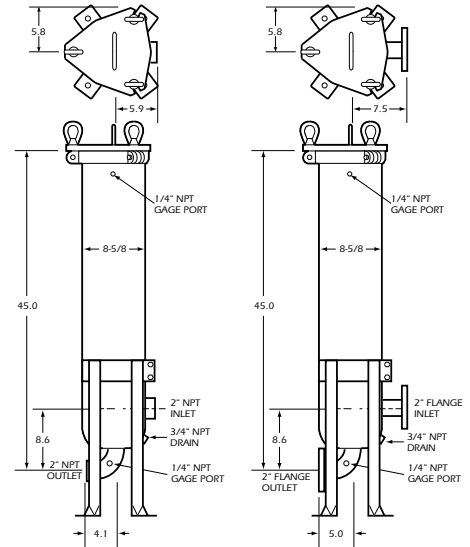
ASME Code Stamp (8135 only) = **C**
 NSF 61 listed (8135 only) = **NSF**



Dimensions (IN)



8135



Viscosity Factors

		CPS NUMBER							
1 (H ₂ O)	50	100	200	400	600	800	1000	2000	
.65	.85	1.00	1.10	1.20	1.40	1.50	1.60	1.80	

*Based on housing only. Fluid viscosity, filter cartridge used, and expected dirt loading should be considered when sizing a filter.

Dimensions are reference only and should not be used for hard plumbing. Consult factory for certified drawings.

Multiple Cartridge Platinum 700 Filter Housing

How To Order

Build an ordering code as shown in the example

Example: **SLP-18435 - 3F - 1- 150 - S - B - 700 - C**

HOUSING STYLE
 Standard Low Profile = **SLP**
 Horizontal Mount = **HM**

MODEL NUMBER
 Model 18,4 Elements = **18435**
 Model 24,7 Elements = **24735**
 Model 36,18 Elements = **361835**
 Model 42,21 Elements = **422135**
 Model 48,29 Elements = **482935**

PIPE SIZE, FLANGED
 Model 18 = **2F or 3F**
 Model 24 = **3F or 4F**
 Model 36 = **4F, 6F or 8F**
 Model 42 = **8F, 10F or 12F**
 Model 48 = **8F, 10F or 12F**

OUTLET STYLE
 Side In/Bottom Out = **1**
 Side In/Side Out = **2**

PRESSURE RATING
 150 PSI = **150**

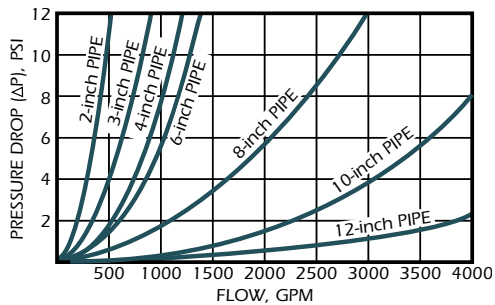
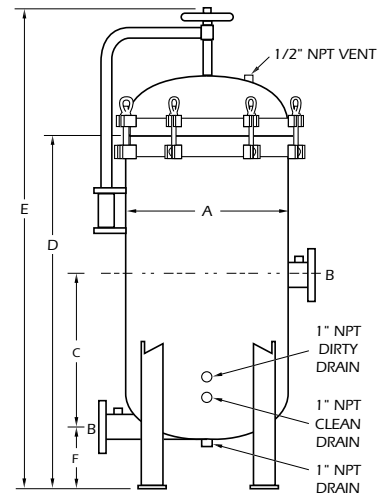
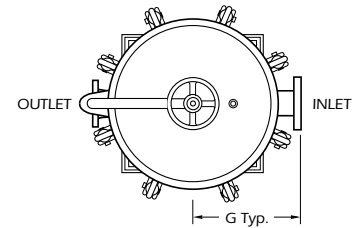
HOUSING MATERIAL
 Carbon Steel = **C**
 304 Stainless Steel = **S**
 316 Stainless Steel = **S316**

COVER GASKET
 Buna = **B**
 Ethylene Propylene = **E**
 Viton® Fluorelastomer = **V**
 Teflon Encapsulate Viton® = **TEV**

ELEMENT SERIES = **700**

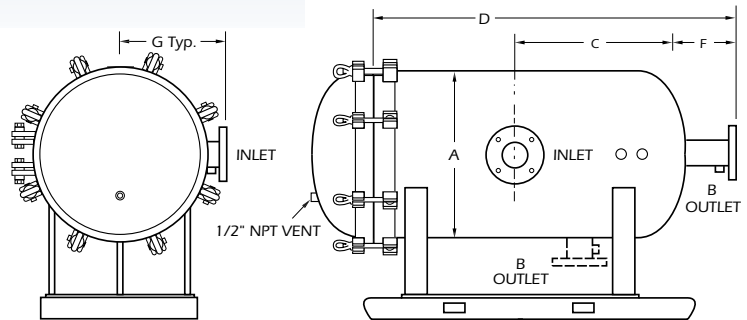
ASME CODE OPTION
 ASME Code Stamp = **C**
 NSF 61 listed = **NSF**

Dimensions (IN)



*Based on housing only. Fluid viscosity, filter cartridge used, and expected dirt loading should be considered when sizing a filter.

Dimensions are reference only and should not be used for hard plumbing. Consult factory for certified drawings.



MODEL NO. & Dim. A	Pipe Sizes B	Leg Bolt Circle Dia.	C	D	E	F	G
18	2	16.0	22.2	49.4	68.2	8.00	14.0
	3		21.6	49.8	68.7	9.00	14.0
24	3	22.0	23.1	51.3	71.7	9.00	18.0
	4		22.6	50.8	71.2	9.00	19.0
36	4	34.0	27.4	55.9	77.7	9.50	25.0
	6		26.3	55.9	77.6	10.5	26.0
	8		25.3	55.9	77.6	11.5	27.0
42	10	40	36.0	60.0	92.0	10.0	34.0
48	12	42	38.5	62.0	98.0	12.0	38.0